

Available in three models: VT21, VTLP Low Profile, VTTM Dual Arm



"The doctor noticed the stowed unit didn't stick out much farther than the hand sanitizer."

VT21 Low Profile Workstation

Stows in as little as 4" (10 cm) from the wall

- **COMPACT.** The Low Profile model stows just 4" (10 cm) from the mounting surface. The stowed depth of the VT21 is 5.5" (14 cm), and the stowed depth of the Dual Arm model is 7.5" (19 cm).
- **TRUE SIT-STAND.** All models provide 21" of vertical adjustment for comfort both standing and sitting.
- **EASY WEIGHT ADJUSTMENT.** Lift assist is adjustable for various monitor and keyboard weights using a hex key in the adjuster hole in the lower left end cap. The handy adjustment indicator on the left side shows the degree of lift assist being used.
- **SMOOTH HEIGHT ADJUSTMENT.** Locking Lift Assist easily raises and lowers unit. Locks securely at desired height.
- **ADJUSTABLE MONITOR** with two height settings.
- **ERGONOMIC.** The WorkSurface Tray and/or Flip-Up Keyboard Tray can both be adjusted to positive, neutral, and negative tilt for greatest ergonomic comfort.
- **HYGIENIC.** Durable, easy-to-clean finish withstands harsh chemicals. Built with smooth aircraft-grade aluminum that doesn't allow microorganisms to hide.

Monitor, keyboard and mouse not included.



For more information contact your ICW representative or talk to one of our customer service representatives at 1-800-558-4435.

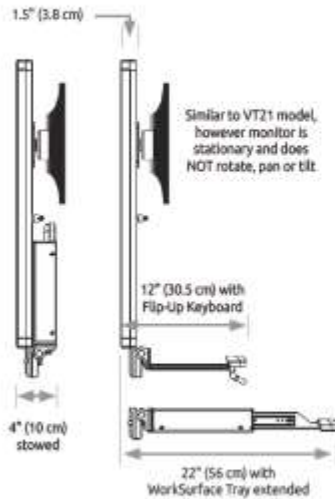
Specifications for all models

Adjustable Load capacity	10-25 lbs (4.5-11.3 kg)	
Dimensions	14" wide x 30" high (35.6 cm x 76 cm)	
Vertical adjust range	All models: 21" (53.3 cm)	
Depth with WorkSurface Tray extended	VT21	22" (56 cm)
	VTLP Low Profile	22" (56 cm)
	VTTM Dual Arm	36" (91.4 cm)
Depth with Flip-Up Keyboard Tray	VT21	12" (30.5 cm)
	VTLP Low Profile	12" (30.5 cm)
	VTTM Dual Arm	26" (66 cm)
Stowed depth	VT21	5.5" (14 cm)
	VTLP Low Profile	4" (10 cm)
	VTTM Dual Arm	7.5" (19 cm)
Horizontal rotation of mount	VT21	None
	VTLP Low Profile	None
	VTTM Dual Arm	180° at wall
Monitor rotation	VT21	360°
	VTLP Low Profile	None
	VTTM Dual Arm	360°
Monitor tilt	VT21	50°
	VTLP Low Profile	None
	VTTM Dual Arm	50°
VESA interface	75 mm and 100 mm	

Range of Motion Video

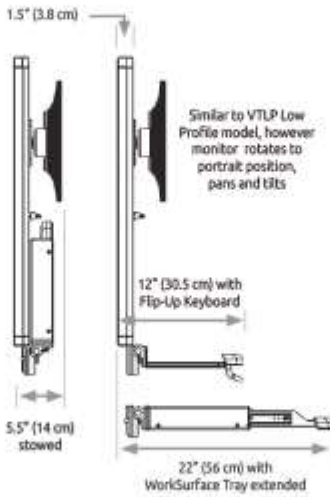


Range of Motion and Dimension Drawings



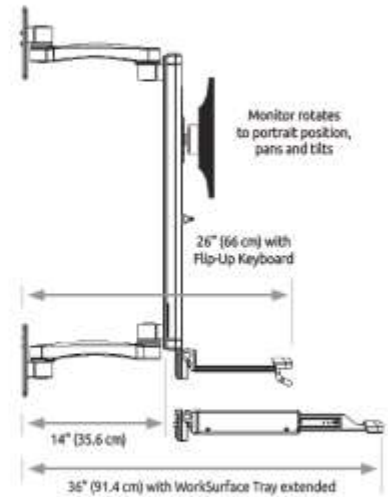
VTLP Low Profile

- Depth with WorkSurface Tray extended: 22" (56 cm)
- Depth with Flip-Up Keyboard Tray: 12" (30.5 cm)
- Stowed depth: 4" (10 cm)
- Mounts flat against the wall
- Monitor does not rotate or tilt.



VT21

- Depth with WorkSurface Tray extended: 22" (56 cm)
- Depth with Flip-Up Keyboard Tray: 12" (30.5 cm)
- Stowed depth: 5.5" (14 cm)
- Mounts flat against the wall
- Monitor rotates to portrait position, pans and tilts

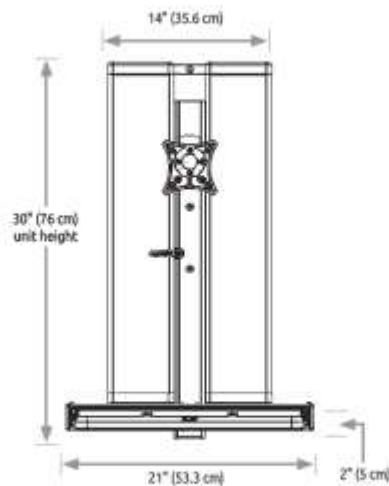


VTTM Dual Arm

- Depth with WorkSurface Tray extended: 36" (91.4 cm)
- Depth with Flip-Up Keyboard Tray: 26" (66 cm)
- Stowed depth: 7.5" (19 cm)
- Mounts with two extension arms
- Horizontal swivel of arms at mount: 180°
- Monitor rotates to portrait position, pans and tilts



Image shows a stowed VT21.



ASR

Available in these 5 standard colors and 9 custom colors.

